

# Viking Bowl 5801V Series



## Overview

---

The Viking Bowl is used to dissolve and feed encapsulated powder and solid products. It is used with laundry and Warewash dispensers to feed laundry and dish machines. The use of solids and powders significantly reduces the packaging, shipping and handling of ready to use product.

## Warnings

---



All installations must conform to local plumbing codes and use approved backflow prevention devices. A pressure indicating tee is to be installed with existing faucets according to local plumbing codes in the state of Wisconsin and any other state that requires the use of a pressure indicating tee.



**ALWAYS WEAR PROTECTIVE CLOTHING AND EYEWEAR WHEN WORKING WITH CHEMICAL PRODUCTS.**

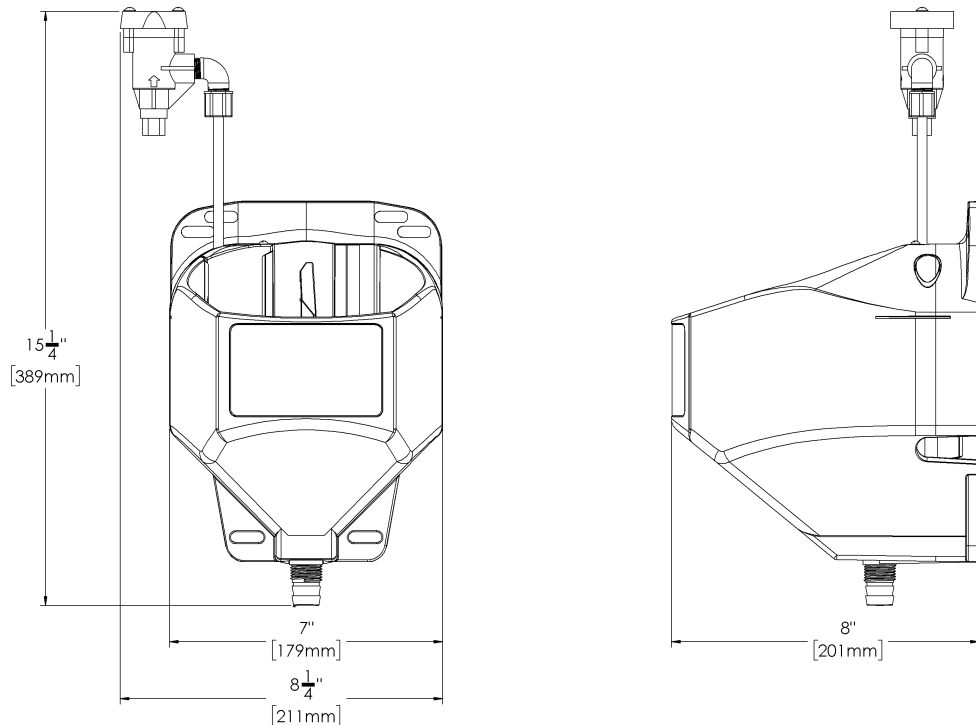
## Operational Requirements

---

	Minimum	Maximum
Water Pressure	15 psi (1.03 bar)	85 psi (5.86 bar)
Water Temperature	-	140°F (60°C)

## Overall Size

---



## Installation & Operation

---

Choose a location on the wall that will allow gravity feed of the chemical to the dish machine. You don't want to be more than 5' from the bottom of the Viking Bowl to the bulkhead fitting in the dish machine tank wall. The 5/8" I.D. clear PVC tubing from the Bowl should run down to the injection point. If mounting on the side of the dish machine, use 1/4"-20 x 3/4" bolts.

1. Install spray arm using diagram on page four (4).
2. Attach the stainless-steel tube to the ELBOW fitting in the side of the plastic or metal vacuum breaker.
3. Mount the Viking Bowl using screws and anchors provided. **Allow enough room above the bowl to insert and remove containers of product.**
4. Run and secure a 1/4" OD water line from the output side of your detergent control solenoid or timer valve to the straight fitting in the bottom of your plastic or metal vacuum breaker – this is the vacuum breaker inlet fitting. **NOTE: Do NOT tap a hot water line AFTER a booster heater for a feed line to the solenoid and Bowl. The temperature of the water that will flow to the bowl must not exceed 140 degrees Fahrenheit.**
5. On the side of the dish machine tank, locate or make (with a Greenlee punch) a 7/8" hole for the 77-degree elbow above the water line. Try to dispense in an area with good water circulation. A good location is across from the inlet to the circulation pump. Avoid installing in the tank corners. Install the elbow assembly in this hole.
6. Attach the clear feed tubing to the bottom of the Viking Bowl vacuum. Pull the other end of the tubing in line with the elbow and cut off any extra so the line doesn't sag. Attach it to the elbow.
7. Power the detergent dispenser and check for leaks at all connections. Tighten any loose compression nuts.
8. Insert appropriate capsule in bowl and program dispenser according to instructions.

### **Notes:**

- The Viking Bowl accepts a standard 6" jug with a 100MM neck finish.
- Private label logo is available on the Viking Bowl - call for details.
- Viking manufactures screen caps for encapsulated detergent - call for details.

## **Installation & Operation Continued...**

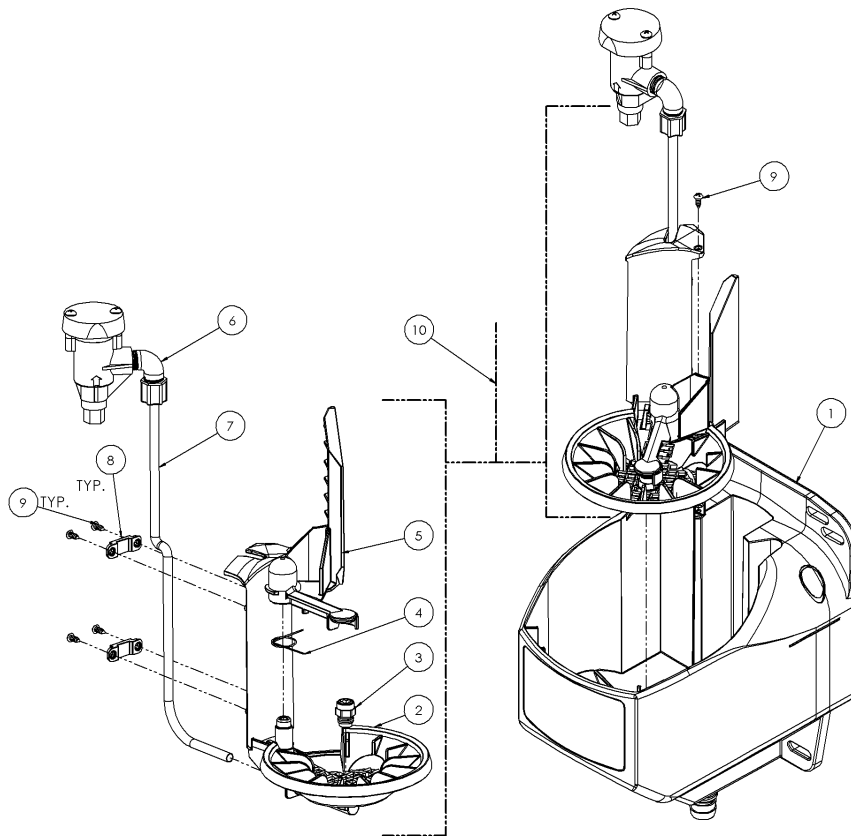
---

### **Nozzles:**

- The Viking Bowl comes with a Standard Spray Nozzle installed. The standard nozzle is used for both powder and solid products.
- The Cone Nozzle provides the same spray pattern as the Standard Nozzle but it is cone shaped to shed water and product after feeding is complete.
- The Powder Nozzle provides a low flat spray and should be used with powdered products only.
- The NDB Nozzle is for locations where low water pressure is too low. It has a smaller orifice and will provide a better spray pattern at lower pressures. It will produce lower flow rates than any of the other nozzles.

# Replacement Parts

<b>5801 SERIES VIKING BOWL PARTS LIST</b>		
<b>ITEM NO.</b>	<b>DEMA NO.</b>	<b>DESCRIPTION</b>
1	41778-1	BOWL BODY
2	41779-1	SPRAY ARM
3	58-311	STANDARD NOZZLE [POWDER & SOLID]
	58-315	POWDER NOZZLE [POWDER ONLY]
	58-316	CONE NOZZLE [POWDER & SOLID]
	58-317	NBD NOZZLE [FOR LOW PRESSURE]
4	41789-1	TORSION SPRING
5	41780-1	BOWL DIVERTER ARM
6	58-2C	VACUUM BREAKER [JACO]
	58-2B	VACUUM BREAKER [METAL]
	58-2	VACUUM BREAKER [JG]
7	41783-1	BENT INLET TUBE
8	41782-1	BOWL TUBING CLAMP [QTY. 2]
9	81-18-1	#6 x 3/8" HI-LO SCREW, SS [QTY. 5]
10	58-323	COMPLETE SPRAY ARM ***Less/Vacuum Breaker***
11	58-7-5	5' LENGTH OF 5/8" ID X 7/8" OD TUBING [OUTLET]
12	58-318	ELBOW [BULKHEAD] FITTING COMPLETE
13	58-319	STANDARD HARDWARE BAG



**SPRAY ARM  
BOWL INSTALLATION**

**SPRAY ARM  
PARTS [AS LISTED]**

## Warranty

---

### Merchandise Returns

***No merchandise will be returned for credit without DEMA'S written permission. Returned merchandise authorization number is required in advance of return.***

### Product Warranty

DEMA products are warranted against defective material and workmanship under normal use and service for one year from the date of manufacture. This limited warranty does not apply to any products that have a normal life shorter than one year or failure and damage caused by chemicals, corrosion, physical abuse, or misapplication. Rubber and synthetic rubber parts such as "O"-rings, diaphragms, PVC tubing, and gaskets are considered expendable and are not covered under warranty. This warranty is extended only to the original buyer of DEMA products. If products are altered or repaired without prior approval of DEMA, this warranty is void.

Defective units or parts should be returned to the factory with transportation prepaid. If inspection shows them to be defective, they will be repaired or replaced without charge, F.O.B. factory. DEMA assumes no liability for damages. Return merchandise authorization number must be granted in advance of returned units for repair or replacement (See "Merchandise Returns" above), to return units for repair or replacement, must be granted in advance of return.